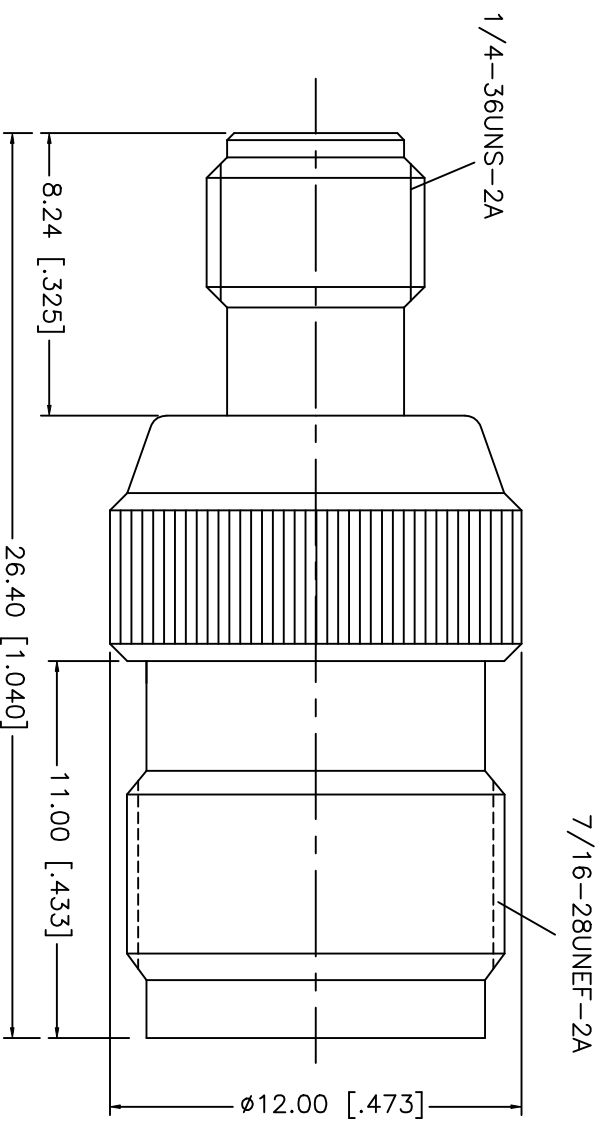


REV.	DATE	DESCRIPTION
NC	09/22/02	INITIAL RELEASE



8				UNLESS OTHERWISE SPECIFIED DIMENSIONS ARE IN MILLIMETERS	APPROVALS	DATE	Amphenol - Connex CONNECTOR CORPORATION SMA JACK TO REVERSE POLARITY TNC JACK ADAPTER				REV.			
7				DIMENSIONS IN [] ARE IN INCHES FOR CUSTOMER REFERENCE ONLY	DRAWN	09/22/02					SIZE	FSCM NO.	DWG. NO.	REV.
6					CHECKED						A	99001	242107RP.DWG	NC
5					ISSUED						SCALE	PART NO.		
4	CONTACT PIN	PHOS. BRONZE	GOLD	UNLESS OTHERWISE SPECIFIED TOLERANCES FOR INCHES ARE: .XXX = ± 0.005" .XX = ± 0.010" .X = ± 0.020"			NA	242107RP		SHEET				
3	INSULATOR	TEFLON	NATURAL							1 OF 1				
2	BODY	BRASS	GOLD											
1	HOUSING	BRASS	GOLD											
	DESCRIPTION	MATERIAL	FINISH	DO NOT SCALE DRAWING										